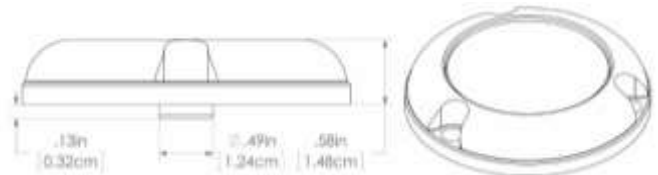
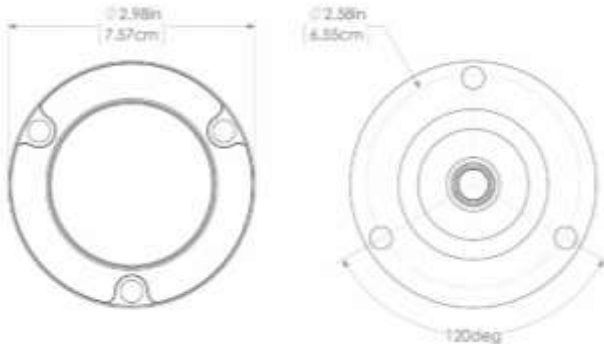


# UNDERWATERLIGHTS

## SeaBlaze Mini Spectrum (RGB) LED

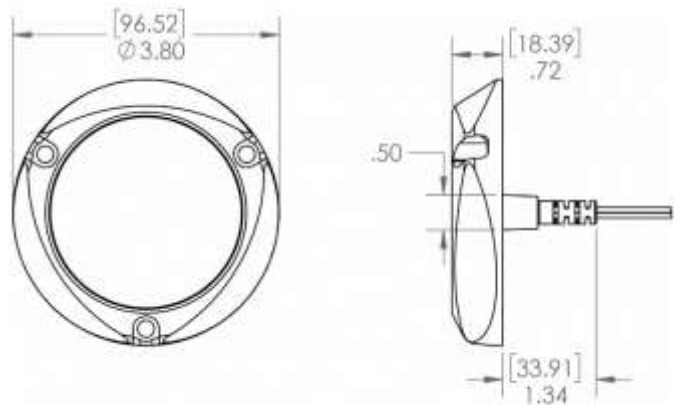
### SeaBlaze Mini LED

- Lumens (White): 890
  - Voltage: 10-30vDC
  - 12v DC Amps: 990mA
  - 24v DC Amps: 450mA
  - Rated Watts: 12
  - CCT:6500
  - CRI: 70+
  - Op. Temp F/C:-31/35 to + 131/55
- Timed Toggled Protocol (TTP):No
  - Third Party Dimmer Compatibility (3PD) :Yes
  - Color Match Commitment (CM):No
  - Mounting Hole Diameter:1/4"
  - Height: N/A
  - Width: N/A
  - Depth: 0.58in (1.48cm)
  - Diameter: 2.98in (7.57cm)



### SeaBlaze Quattro LED

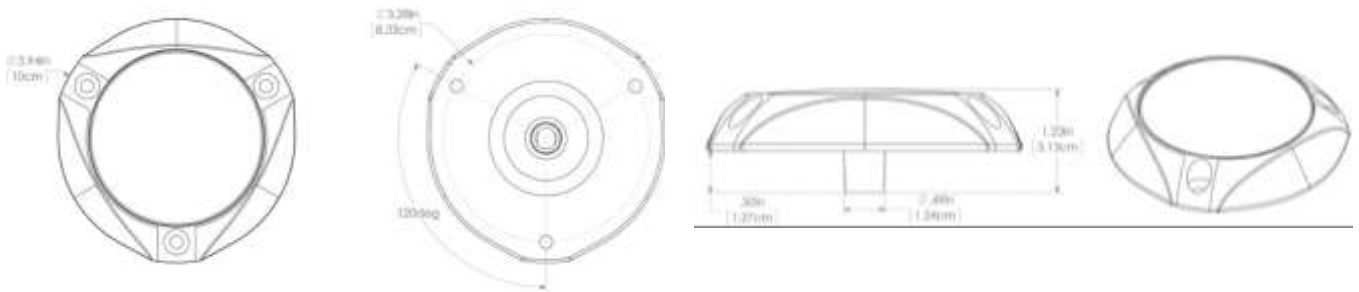
- Lumens (White):2000+
  - Voltage:10-30vDC
  - 12v DC Amps:2.1A
  - 24v DC Amps:1.1A
  - Rated Watts:25
  - CCT:6500
  - CRI:70+
  - Op. Temp F/C:-31/35 to + 131/55
- Timed Toggled Protocol (TTP):Yes
  - Third Party Dimmer Compatibility (3PD) :No
  - Color Match Commitment (CM):No
  - Mounting Hole Diameter:0.5"
  - Height:N/A
  - Width:N/A
  - Depth:0.71in (1.80cm)
  - Diameter:3.85in (9.77cm)



## SeaBlazeX LED

- Lumens (White):4000
- Voltage:10-30vDC
- 12v DC Amps:5A
- 24v DC Amps:2.5A
- Rated Watts:60
- CCT:6500
- CRI:70+
- Op. Temp F/C: -31/35 to + 131/55

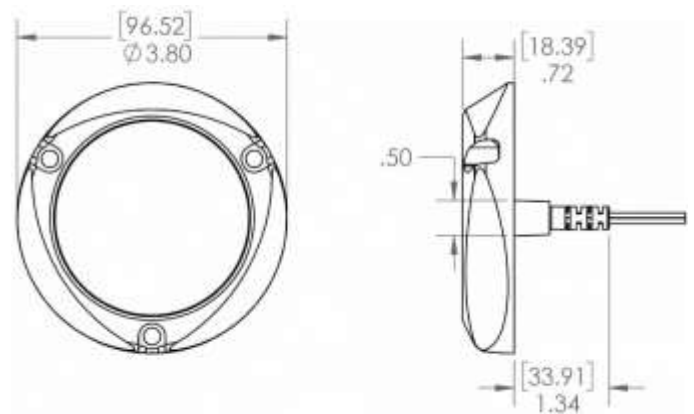
- Timed Toggled Protocol (TTP):Yes
- Third Party Dimmer Compatibility (3PD) :No
- Color Match Commitment (CM):No
- Mounting Hole Diameter:1/2"
- Height:N/A
- Width:N/A
- Depth:0.85in (2.16 cm)
- Diameter:3.94in (10cm)



## SeaBlazeX2

- Lumens (White):5000
- Voltage:10-30vDC
- 12v DC Amps:5A
- 24v DC Amps:2.5A
- Rated Watts:60
- CCT:6500
- CRI:70+
- Op. Temp F/C:-31/35 to + 131/55

- Timed Toggled Protocol (TTP):Yes
- Third Party Dimmer Compatibility (3PD) :No
- Color Match Commitment (CM):No
- Mounting Hole Diameter:1/2"
- Height:N/A
- Width:N/A
- Depth:0.85 in (2.15 cm)
- Diameter:3.94 in (8.86 cm)

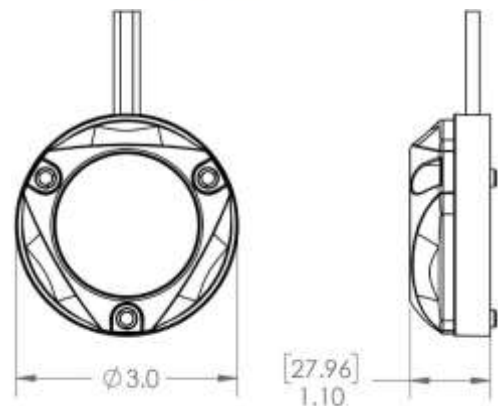


# DOCK LIGHTS

## Zambezi Mini

- Lumens (White):670
- Voltage:10-30vDC
- 12v DC Amps:880mA
- 24v DC Amps:450mA
- Rated Watts:10.5
- CCT:6500
- CRI:70+
- Op. Temp F/C:-31/35 to + 131/55

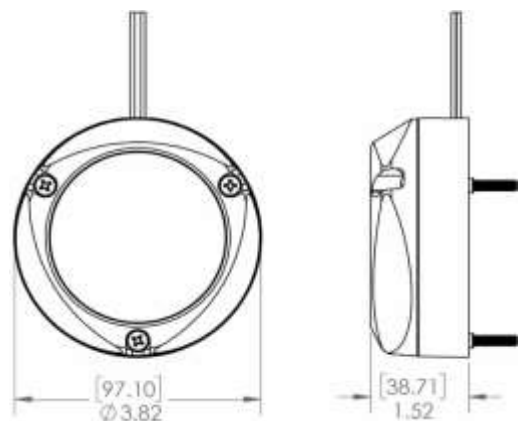
- Timed Toggled Protocol (TTP):Yes
- Third Party Dimmer Compatibility (3PD) :No
- Color Match Commitment (CM):No
- Mounting Hole Diameter:1/4"
- Height:N/A
- Width:N/A
- Depth:1.2in (3.04cm)
- Diameter:3in (7.6cm)



## Zambezi Quattro

- Lumens (White):2000+
- Voltage:10-30vDC
- 12v DC Amps:2.1A
- 24v DC Amps:1.1A
- Rated Watts:25
- CCT:6500
- CRI:70+
- Op. Temp F/C:-31/35 to + 131/55

- Timed Toggled Protocol (TTP):Yes
- Third Party Dimmer Compatibility (3PD) :No
- Color Match Commitment (CM):No
- Mounting Hole Diameter:0.5"
- Height:N/A
- Width:N/A
- Depth:1.6in (4.06cm)
- Diameter:4in (10.16cm)

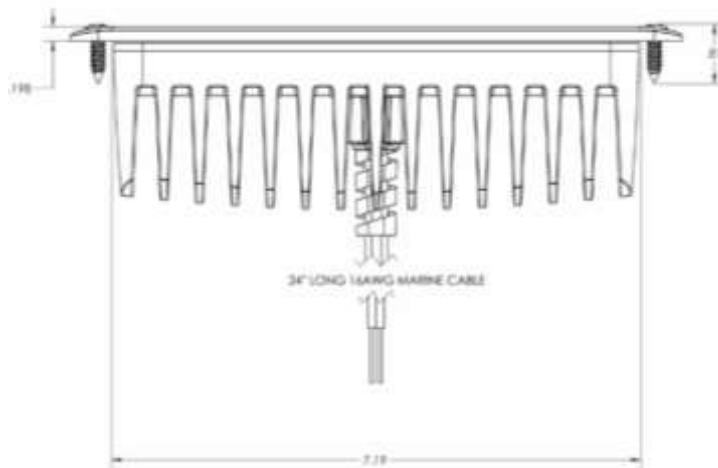
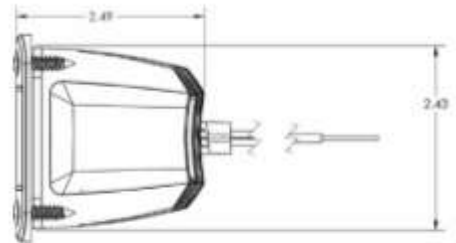


# SPOTLIGHTS

## Maxillume h60

- Lumens (White):6000
- Voltage:10-30vDC
- 12v DC Amps:5A
- 24v DC Amps:2.5A
- Rated Watts:60
- CCT:5000
- CRI:70+
- Op. Temp F/C:-31/35 to + 131/55

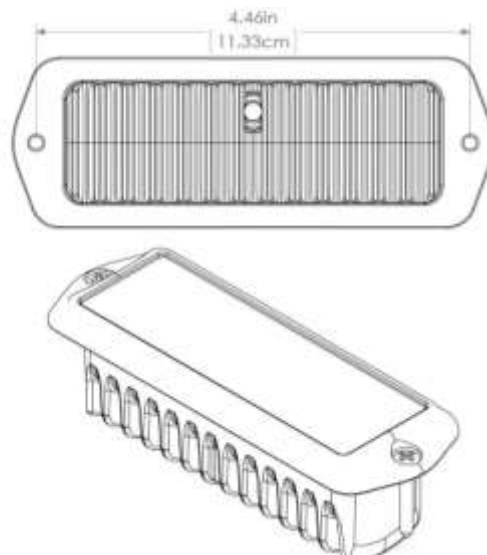
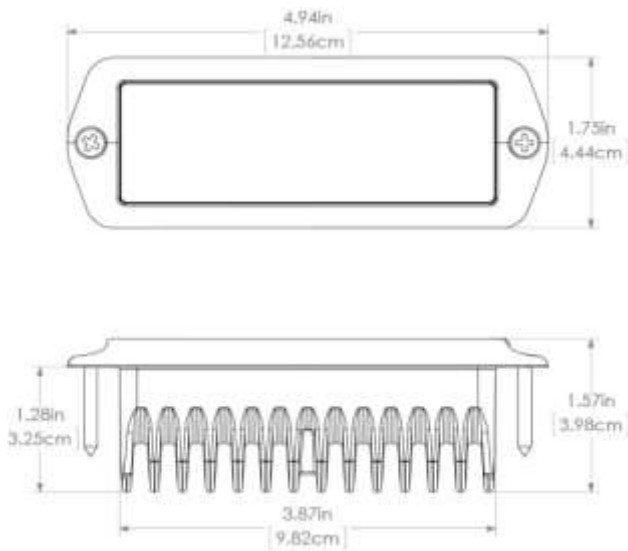
- Timed Toggled Protocol (TTP):Yes
- Third Party Dimmer Compatibility (3PD) :No
- Color Match Commitment (CM):Yes
- Mounting Hole Diameter:7.2"X2.44"
- Height:8.3in (21.08cm)
- Width:2.72in (6.92cm)
- Depth: 2.5in (6.33cm)
- Diameter: N/A



## Capri2

- Lumens (White):1000
- Voltage:10-30vDC
- 12v DC Amps:1.3A
- 24v DC Amps:600mA
- Rated Watts:16
- CCT:5000
- CRI:70+
- Op. Temp F/C:-31/35 to + 131/55

- Timed Toggled Protocol (TTP):Yes
- Third Party Dimmer Compatibility (3PD) :Yes
- Color Match Commitment (CM):Yes
- Mounting Hole Diameter:3.8"X1.25"
- Height:4.94in (12.56cm)
- Width:1.75in (4.44cm)
- Depth:1.57in (3.98cm)
- Diameter:N/A

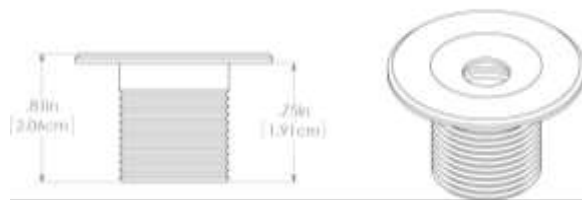
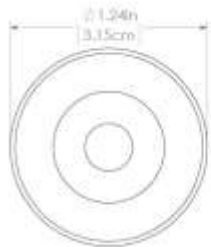


# COURTESY LIGHTS

## Echo

- Lumens (White):45
- Voltage:10-16vDC
- 12v DC Amps:45mA
- 24v DC Amps:N/A
- Rated Watts:0.55
- CCT:5000
- CRI:70+
- Op. Temp F/C:-31/35 to + 131/55

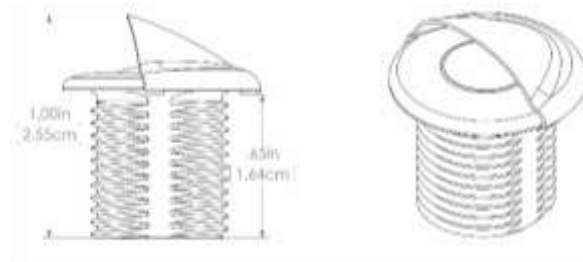
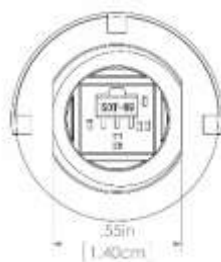
- Timed Toggled Protocol (TTP):No
- Third Party Dimmer Compatibility (3PD) :Yes
- Color Match Commitment (CM):Yes
- Mounting Hole Diameter:11/16"
- Height:N/A
- Width:N/A
- Depth:0.81in (2.06cm)
- Diameter:1.24in (3.15cm)



## Aruba

- Lumens (White):45
- Voltage:10-16vDC
- 12v DC Amps:45mA
- 24v DC Amps:N/A
- Rated Watts:0.55
- CCT:5000
- CRI:70+
- Op. Temp F/C:-31/35 to +131/55

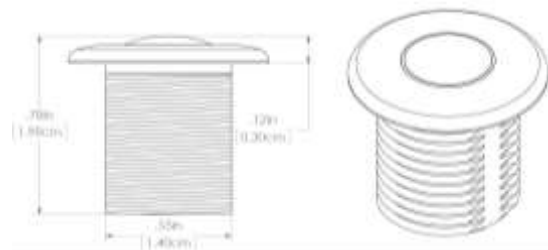
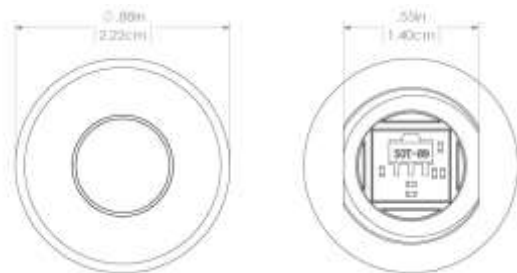
- Timed Toggled Protocol (TTP):No
- Third Party Dimmer Compatibility (3PD) :Yes
- Color Match Commitment (CM):Yes
- Mounting Hole Diameter:5/8"
- Height:N/A
- Width:N/A
- Depth:0.5in (1.27cm)
- Diameter:0.93in (2.36cm)



## Newt

- Lumens (White):45
- Voltage:10-16vDC
- 12v DC Amps:45mA
- 24v DC Amps:N/A
- Rated Watts:0.55
- CCT:5000
- CRI:70+
- Op. Temp F/C:-31/35 to +131/55

- Timed Toggled Protocol (TTP):No
- Third Party Dimmer Compatibility (3PD) :Yes
- Color Match Commitment (CM):Yes
- Mounting Hole Diameter:5/8"
- Height:N/A
- Width:N/A
- Depth:0.78in (1.98cm)
- Diameter:0.88in (2.22cm)

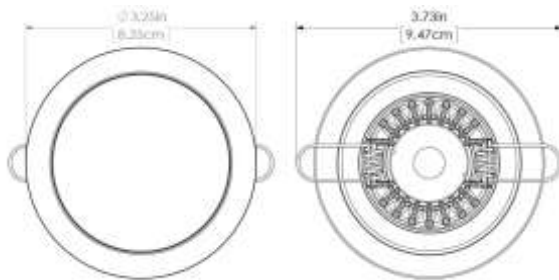


# DOWN LIGHTS

## Mirage

- Lumens (White):172
- Voltage:10-30vDC
- 12v DC Amps:360mA
- 24v DC Amps:180mA
- Rated Watts:3
- CCT:5000
- CRI:70+
- Op. Temp F/C:-31/35 to + 131/55 F

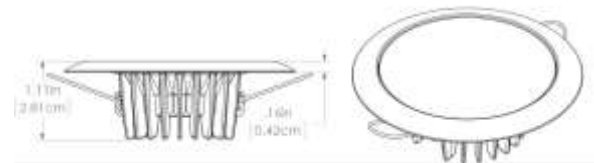
- Timed Toggled Protocol (TTP):Yes
- Third Party Dimmer Compatibility (3PD) :Yes
- Color Match Commitment (CM):Yes
- Mounting Hole Diameter:2"
- Height:N/A
- Width:N/A
- Depth:1in (2.54cm)
- Diameter:3.25in (8.25cm)



White



Glass



## Halo

- Lumens (White):160
- Voltage:10-30vDC
- 12v DC Amps:360mA
- 24v DC Amps:180mA
- Rated Watts:4
- CCT:5000
- CRI:70+
- Op. Temp F/C:-31/35 to + 131/55

- Timed Toggled Protocol (TTP):No
- Third Party Dimmer Compatibility (3PD) :Yes
- Color Match Commitment (CM):Yes
- Mounting Hole Diameter:1 1/4"
- Height:N/A
- Width:N/A
- Depth:0.70in (1.77cm)
- Diameter: 1.99in (5.05cm)



Brushed



White